



**HORNVAL**

**MONTAGE INSTRUCTION  
SOFFIT  
ALUMINUM P1  
STELL P2**

**Soffit HORNVAL steel and aluminum system is intended for the implementation of durable and aesthetic finishing of the bottom parts of the roof, as well as all those elements of the building where previously the PVC soffit could not be used due to deformation and color fading under the influence of atmospheric factors, especially sun rays.**

Finishing the bottom parts of the roof structure

Coverage of walls and all types of dormers, bay windows and "swallows"

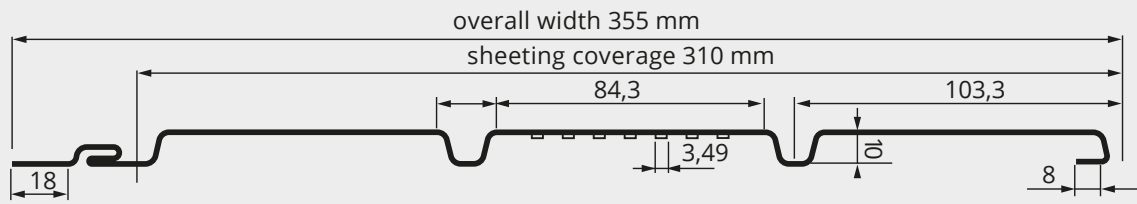
Securing of wooden elements of terraces and balconies

Finishing of Chimneys

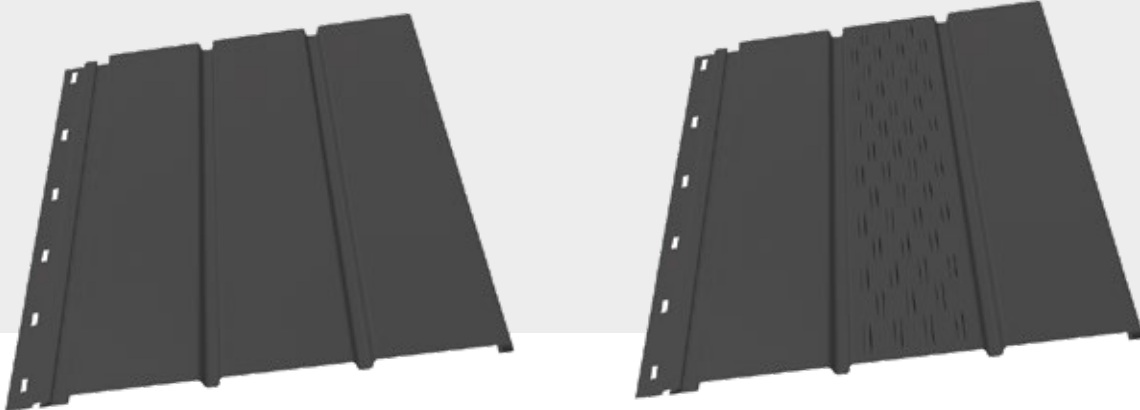


Technical parameters, selection of batch material, colors and structure of varnish coatings will ensure that our product will provide the highest quality, durability and will blend in perfectly with your roofing, meeting the aesthetic expectations of even the most demanding customers.

## Technical Parameters

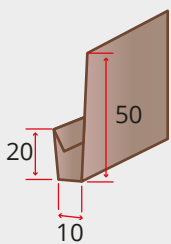


Ventilation version

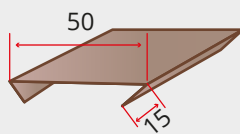


overall width of a panel	355 mm
effective width of the panel	310 mm
panel length	2 m
length of "J" type slat	2 m

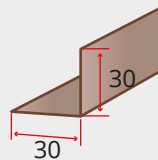
length of masking panel	2 m
length of inner/external corner	2 m
length of panel on the request	from 30 cm to 3 m



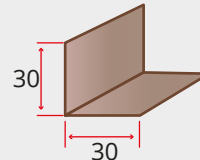
„J" type slat



Masking panel



Internal Corner



External Corner

"H" type slat consists of a "masking slat" mounted on two "J" type slats



## Soffit P1 - Aluminum



GOLDEN OAK



BROWN



GRAPHITE

The use of UV-resistant lacquered aluminum ensures that our soffits will not deform under the influence of heat.

Raw material:  
lacquered aluminum

Packaging:  
20 pcs. (cardboard packaging, panels protected by polyurethane foam)  
For panels with non-standard lengths – Stretch film packaging

Warranty:  
35 year warranty on the paint coating  
30 year warranty on UV radiation  
lifetime warranty on perforation

Dimensions:  
Overall width 350 mm × 2000 mm  
Sheeting coverage 310 mm × 2000 mm

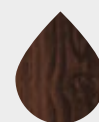
## Soffit P2 - Steel

Aesthetic and easy to install, the soffit works well in every house. In our soffits, both steel and aluminum, there is no need to see mounting screws. Dark and golden oak colors will make your roof coherent with your surroundings and the nature of your appearance.

Raw material:  
coating steel

Packaging:  
20 pcs. (cardboard packaging, panels protected by polyurethane foam)  
For panels with non-standard lengths – Stretch film packaging

Dimensions:  
Overall width 350 mm × 2000 mm  
Sheeting coverage 310 mm × 2000 mm



Dark Oak



Golden Oak



RAL 8017 M



RAL 8017



RAL 7024 M



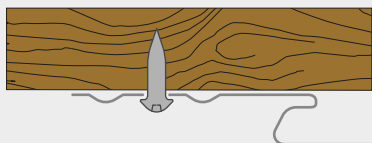
RAL 7024



RAL 9005 M

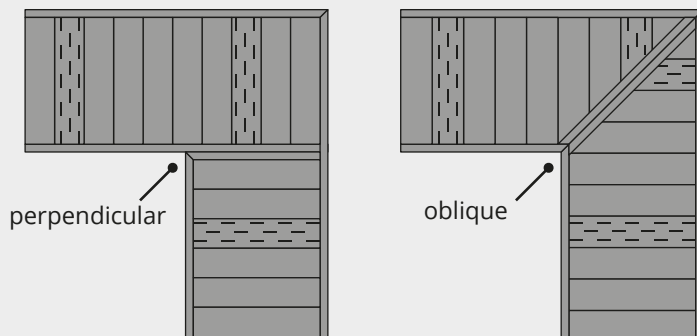
# Soffit montage instruction

Panels and finishing slats install by using Wood screws.

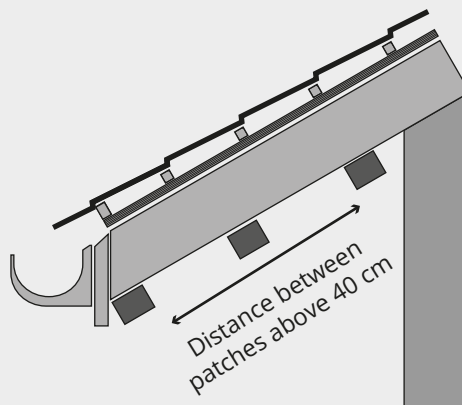
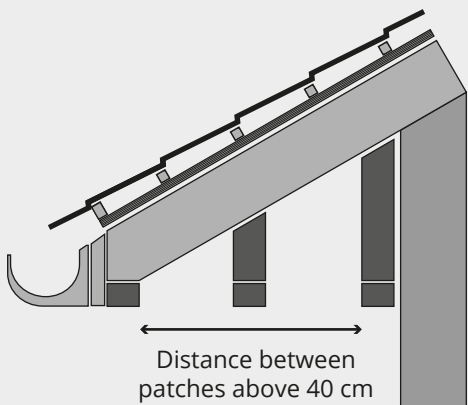
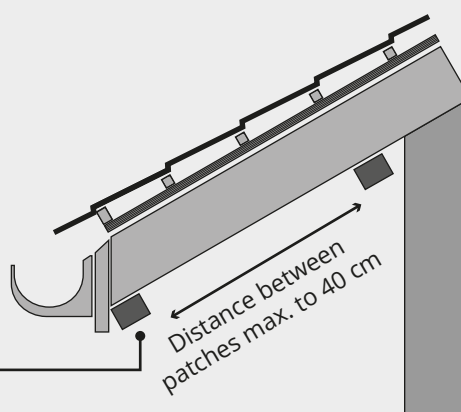
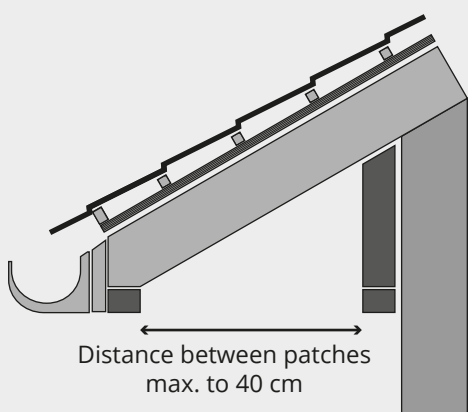


Every second panel of soffit should be used with perforation to maintain proper ventilation of the eaves and the roof slope.

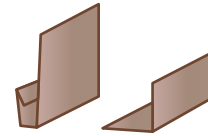
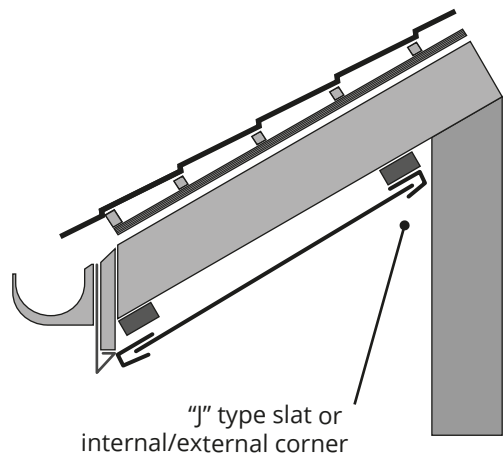
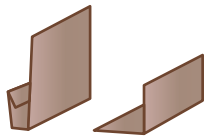
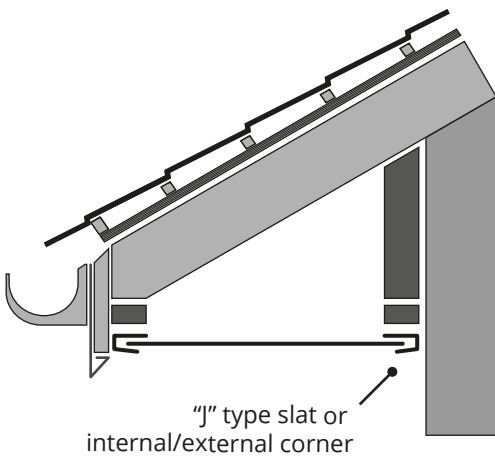
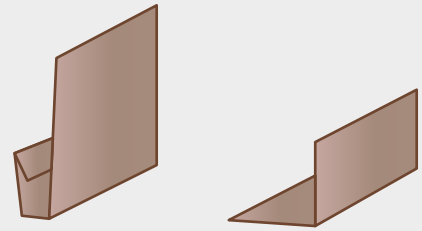
Montage panels and slats in the corners of building:



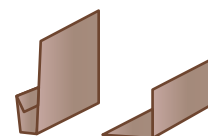
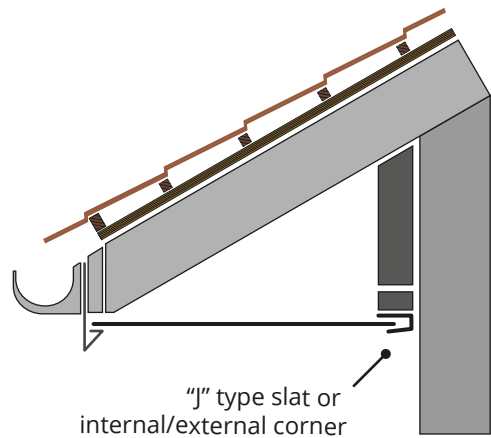
Soffit is mounting to the supporting construction made of dry, impregnated and leveled patches with a minimum cross-section of 25x50 mm.



The panels are mounted by inserting them from the one side into the "socket" in the flashing of the face board or in the "J" type slat, while the other side (near the wall) is finished depending on the panel assembly method, using the "J" type slat or using corners.

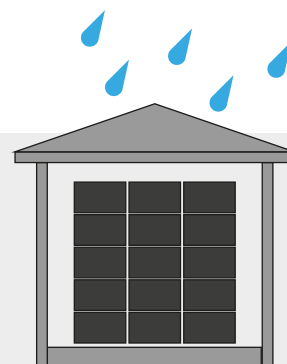


Soffit can be installed in a horizontal or inclined plane, consistent with the angle of the roof slope. It does not affect its mechanical properties.

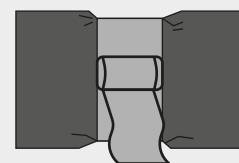


## Additional information

During storage, the elements should be on an even and straight surface to avoid damage. Arrange max. 5 cartons on top of each other. Elements packed in cardboard packaging must be stored in roofed warehouse.



During the transport, pay attention not to damage the panels by tightening the load securing straps.





**HORNVAL**

[www.hornval.eu](http://www.hornval.eu)