

TOPTITE 3° GREEN

Self-adhesive cap sheet
with SBS elastomer bitumen
1 x 7 m

1/6
10/2023

INSTALLATION

CAUTION! Move carefully on the roof. Please read the installation instructions prior to commencing work. We recommend that the temperature during the installation and the temperature of the product to be at least +10 °C. Under the temperature of +5 °C installation of the product is not allowed. An underlay sheet is not needed under TopTite 3° Green. If you plan installing one, see more details from underlay sheet's installation instructions or www.katepal.fi

General information

TopTite 3° Green is suitable for sealed-joint roofing applications in new construction and reroofing projects, with a minimum roof pitch of 1:20 (approx. 3°). The pitch ratio of 1:20 means that the fall of the roof slope is 1 metre over the span of 20 metres. The minimum installation temperature is +5 °C. When installing roofing in cold weather (below +10 °C), you should heat the adhesive surfaces with a hot air gun to ensure a good bond. If the rolls are cold, they should be stored in room temperature for one day before the installation to prevent bumps and waves on the surface.

TopTite 3° Green should be installed in such a way that the overlapping membrane of a joint is never on the side of the fall. The sheets may be installed parallel to the ridge (horizontal installation) or perpendicularly against the ridge (vertical installation). **We recommend vertical installation to ensure that the membranes are installed in straight lines to avoid the risk of creasing.** Over old bitumen felt roofing TopTite 3° Green is installed parallel to the existing roofing so that the longitudinal joints do not coincide. The clout roofing nails must penetrate through the deck boarding (short nails will gradually become dislodged due to the moisture movement of wood).

1. Valleys

If the roof has valleys, first install Katepal Underlay Sheet. Nail it to the substrate from its sides at 20 cm intervals. Then install drip edges along the eaves as instructed in Section 2 (we also recommend the installation of drip edges at the verges). Then lay a 50 cm wide strip of TopTite 3° Green along the valley. Nail the strip from the edges to the substrate at 10 cm intervals and glue the bottom end to the drip edge with Sealing Compound K-36. The membranes covering the slope should overlap the TopTite 3° Green valley sheet by 15 cm and their ends should be cut parallel to the valley. Spread a layer about 1 mm thick of the Sealing Compound K-36 into the overlap joint (use for example a 4 x 4 mm notched spreader, holding it at a 45° angle). Press the

surfaces together carefully in order to avoid air pockets and apply pressure until the sealant exudes from the seam. Finally, smooth out the residue using the spatula.

2. Drip trim installation

Install the drip edge for the eaves over the roof decking or old bitumen felt roofing. Nail the upper part of the drip edge to the deck with roofing nails at approx. 10 cm intervals in a zigzag pattern. Overlap the end joints by 5 cm and drive nails through both metal sheets. Verges flashing can be installed in the same way as eaves flashing.

3. Eaves, horizontal installation

Align the edge of the TopTite 3° Green sheet with the eave so that the adhesive strip on the undersurface covers the upper side of the flashing. In order to avoid creases, it is important always to install TopTite 3° Green sheets in a straight line even if the eaves line is not absolutely straight. **NOTE: Only remove the protective film on the top surface after having aligned the next sheet.**

3. Eaves, vertical installation

First install the drip edges as instructed in Section 2. Align the edge of the TopTite 3° Green sheet with the verge so that the adhesive strip on the underside of the sheet becomes fixed to the drip edge. If no drip edge is installed, fold the edge of the TopTite 3° Green sheet over the blocking piece along the verge and 1–2 cm below the underside of the roof deck boarding. The membrane is bonded to the blocking piece and secured by nailing to the outer edge of the verge. Once the installation of TopTite 3° Green has progressed to the second gable end, bond the edge of the last sheet with Sealing Compound K-36, to a width of approx. 15 cm to the verge flashing or the roof deck. At the eaves the ends of the roofing sheets are bonded to the metal drip edge with Sealing Compound K-36. In vertical installation, too, you must ensure that the roofing sheets are laid in straight lines so as to avoid creasing. **NOTE: Only remove the protective film on the top surface after having aligned the next sheet.**

4. Aligning and fixing

Start the installation of TopTite 3° Green by aligning the first sheet with the eave or the verge, depending on the direction of installation and lay it in an absolutely straight line. The upper edge (or the inward facing edge in the case of vertical installation) is nailed at 10 cm intervals at nailing area next to the adhesive strip while ensuring that the sheet is sufficiently tightened. The protective film on the underside of the sheet is

TOPTITE 3° GREEN

Self-adhesive cap sheet
with SBS elastomer bitumen
1 x 7 m

2/6
10/2023

removed and the adhesive edge is pressed against the metal drip edge ensuring also that the sheet is sufficiently tight.

The next sheet is aligned over the adhesive edge of the previous sheet and nailed in the same way as the first one. The free edge of the sheet is then folded away from the top of the adhesive edge of the previous sheet. The protective film is removed from the nailed edge and the protective film on the lower edge of the upper sheet is removed and the adhesive strips are pressed together. Ensure that overlapping sheet is laid sufficiently tightly and in a straight line.

Continue installation in the same manner up to the ridge or until you reach the opposite end. In this way nails always remain concealed and there are no nail heads visible on the finished roofing.

Alternatively, Katepal screw and plate can be used instead of nails to secure TopTite 3° Green. The fastening density of these is 50 cm in the middle area of the roof and 25 cm in the edge area. The edge area is 1 m wide at the roof edges, eaves and ridge. More information at www.katepal.fi

5. TopTite 3° Green joints for lengthwise extension are made with 15 cm overlaps. Cut away a triangular piece from one corner of each sheet (at the verge from the one that is between the sheets) and nail the end of the underlapping sheet to the roof deck. Spread a layer about 1 mm thick of the Sealing Compound K-36 into the overlap joint (use for example a 4 x 4 mm notched spreader, holding it at a 45° angle). Press the surfaces together carefully and apply pressure until the sealant exudes from the seam. Finally, smooth out the residue using the spatula. The Sealing Compound K-36 will harden to its maximum strength in approx. two weeks. **NOTE: Only remove the protective film on the top surface after having aligned the next sheet.**

6. Install a metal trim over the blocking piece. Different options are displayed below (Fig. 6). When using a drip edge, the ends of TopTite 3° Green sheets (or the edge without adhesive) are bonded to the metal edge with Sealing Compound K-36 to a width of 10 cm.

7. Upturns and chimney

Once the roofing work has progressed to the upper edge of a chimney or other large penetration, cut the upturns out of a sheet of TopTite 3° Green according to Figure 7 and bond them with Sealing Compound K-36 in the numbered order across their

entire width to the chimney and over the roofing sheets on the slope (15 cm overlap). Before installing the pieces, create a cove at the abutment by using angle fillets, for example. Always make the actual upturn out of a separate strip of TopTite 3° Green that extends at least 30 cm above the roof surface and 15 cm over the roof slope sheets. Attach the top edge of the upturn to the chimney, for example, by nailing it to the brickwork joints. Make sure to seal the corners carefully with Sealing Compound K-36 and finally protect the upturn with sheetmetal apron flashing.

8. With flue pipes and similar components penetrating the roofing, use industrial made pass-throughs or flexible rubber collars with a clamping ring and at least 15 cm wide flanges. Install the pass-trough in place and nail it to the roof deck through the flange. Cut a hole the size of the pass-through in the TopTite 3° Green sheet and bond the underlapping sheet to the flange over its entire area with Sealing Compound K-36. Attach the sheets as instructed in Section 5 (extension).

9. If there is a need to enhance the **ventilation of the roof space**, install an underpressure vent on or near the ridge of the roof. Install this as instructed in Section 8 (collar).

10. When installing roofing on the first slope extend the TopTite 3° Green sheet some way over the ridge and nail it to the substrate. From the opposite slope extend the sheets 20 cm over the ridge and bond with Sealing Compound K-36 to the underlapping sheet to a width of 15 cm. Cut away the adhesive strip of the top surface possibly left exposed.

The ridge installation can also be done by cutting a 30 cm wide strip from TopTite 3° Green felt and gluing it on the ridge with Sealing Compound K-36.

FINISHING THE ROOFING

Finally ensure the watertightness of these details with Sealing Compound K-36:

- edges of upturns
- penetration abutments
- corners and joints of upturns around chimneys and other components
- edges of sheet extension joints

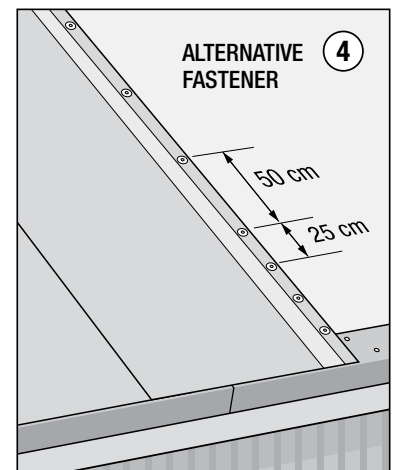
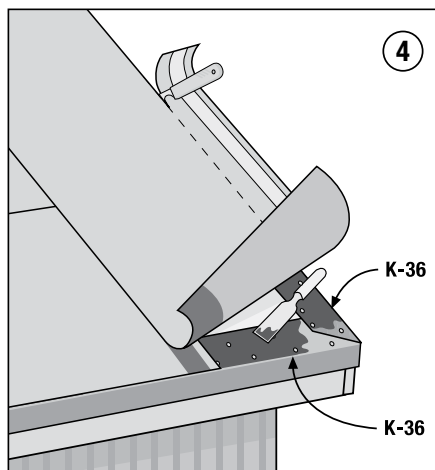
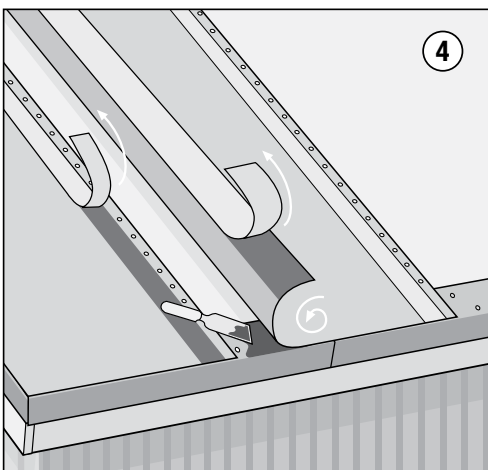
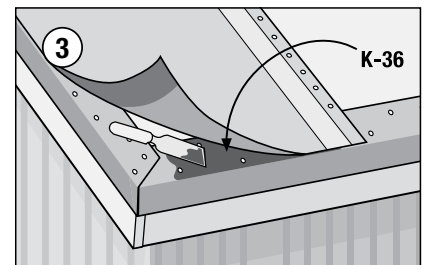
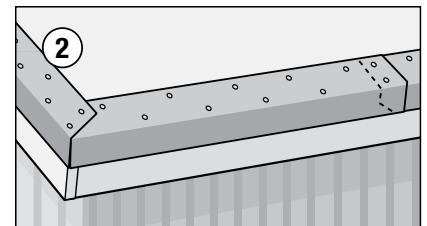
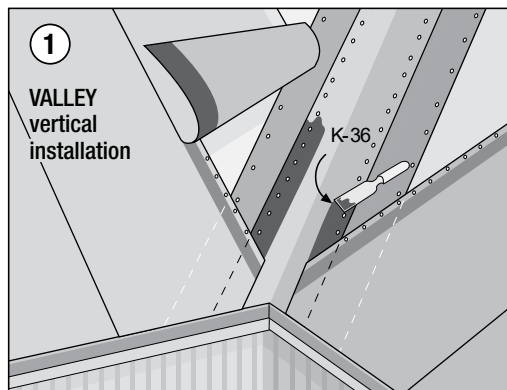
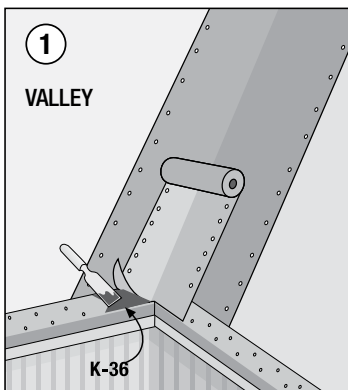
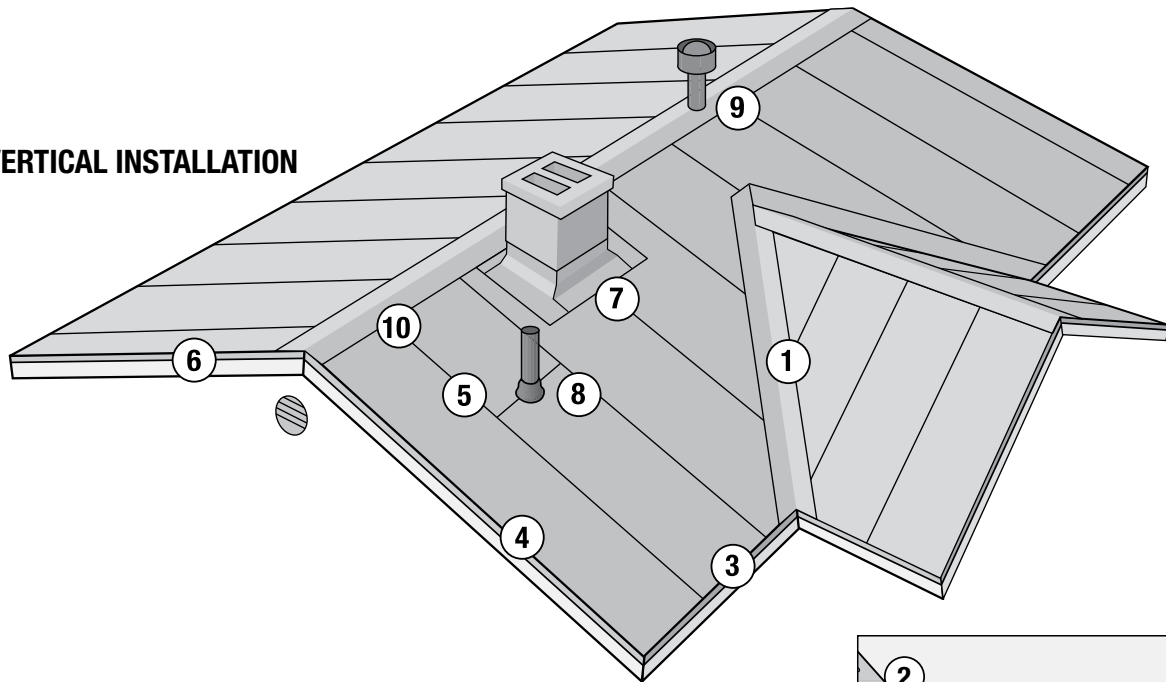
Finally install flashings.

TOPTITE 3° GREEN

Self-adhesive cap sheet
with SBS elastomer bitumen
1 x 7 m

3/6
10/2023

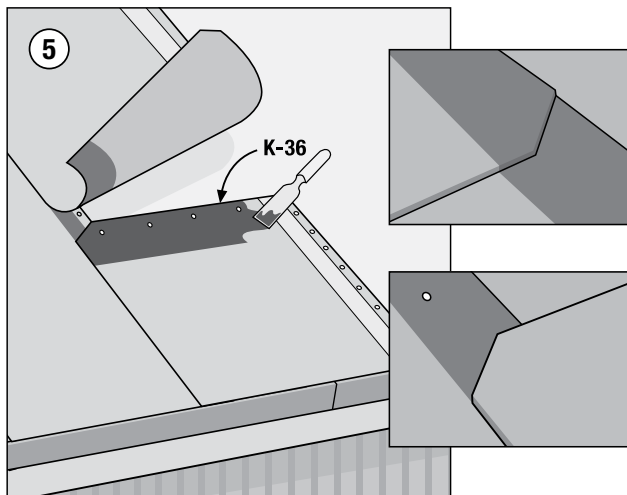
VERTICAL INSTALLATION



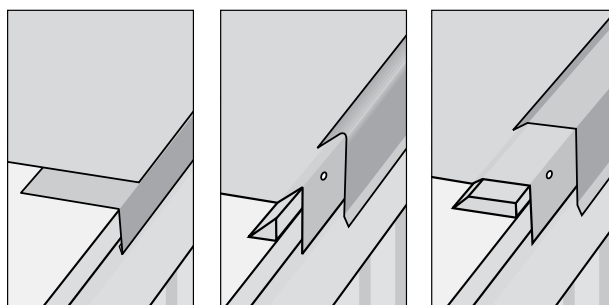
TOPTITE 3° GREEN

Self-adhesive cap sheet
with SBS elastomer bitumen
1 x 7 m

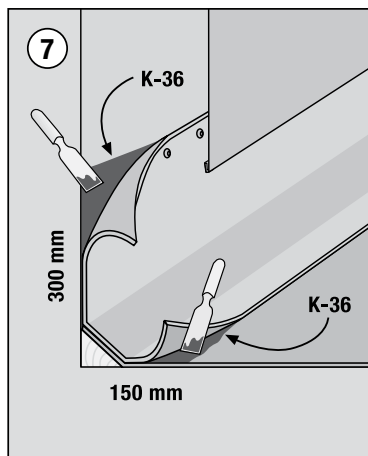
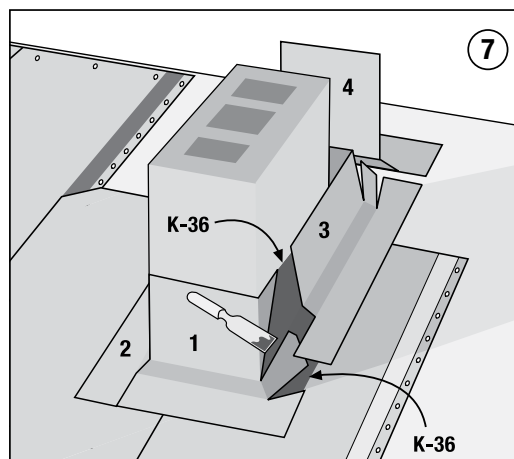
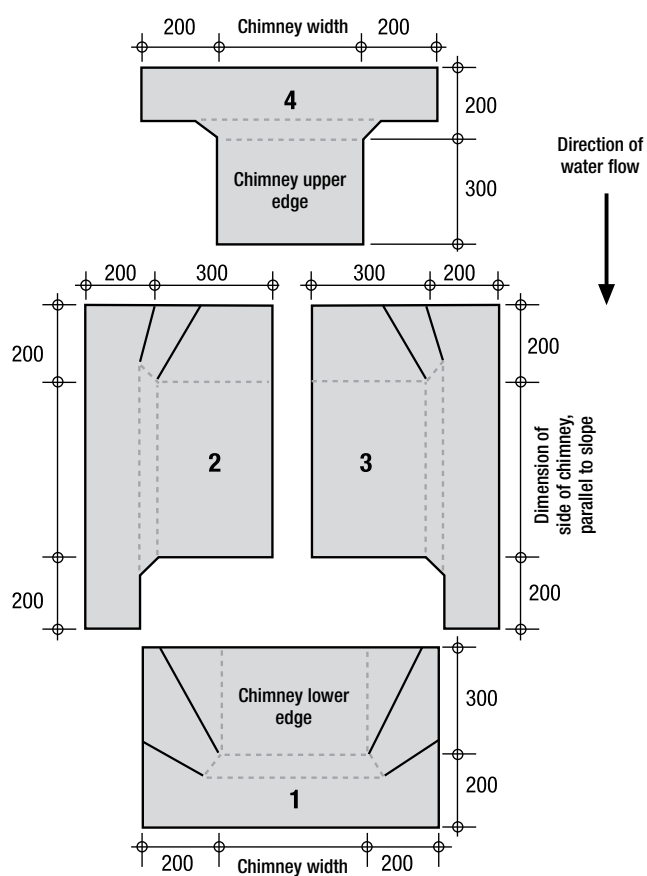
4/6
10/2023



6 CONSTRUCTION OPTIONS FOR THE BLOCKING PIECE



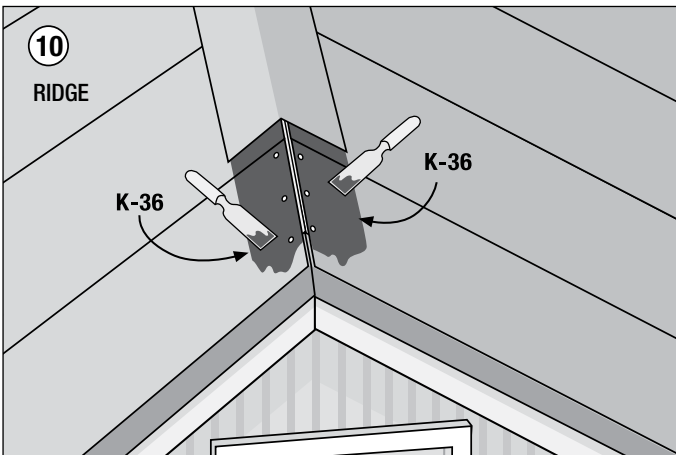
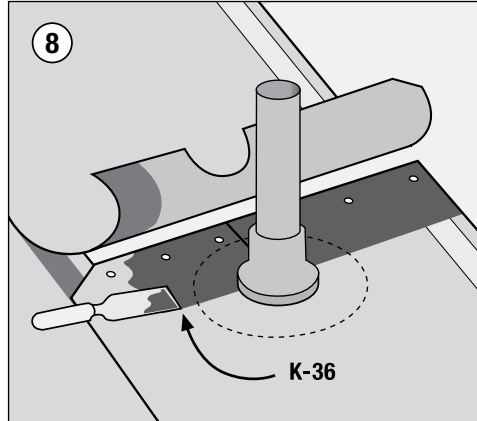
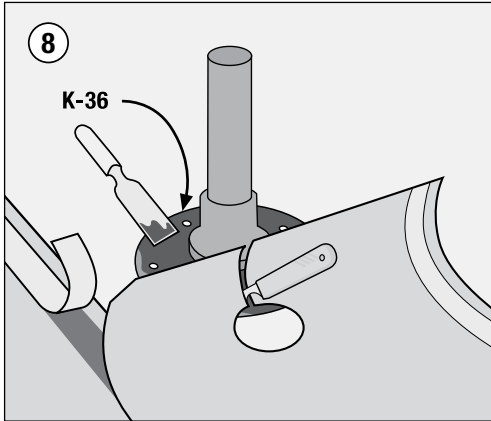
7 CHIMNEY UPTURN



TOPTITE 3° GREEN

Self-adhesive cap sheet
with SBS elastomer bitumen
1 x 7 m

5/6
10/2023



TOPTITE 3° GREEN

Self-adhesive cap sheet
with SBS elastomer bitumen
1 x 7 m

6/6
10/2023

HORIZONTAL INSTALLATION

